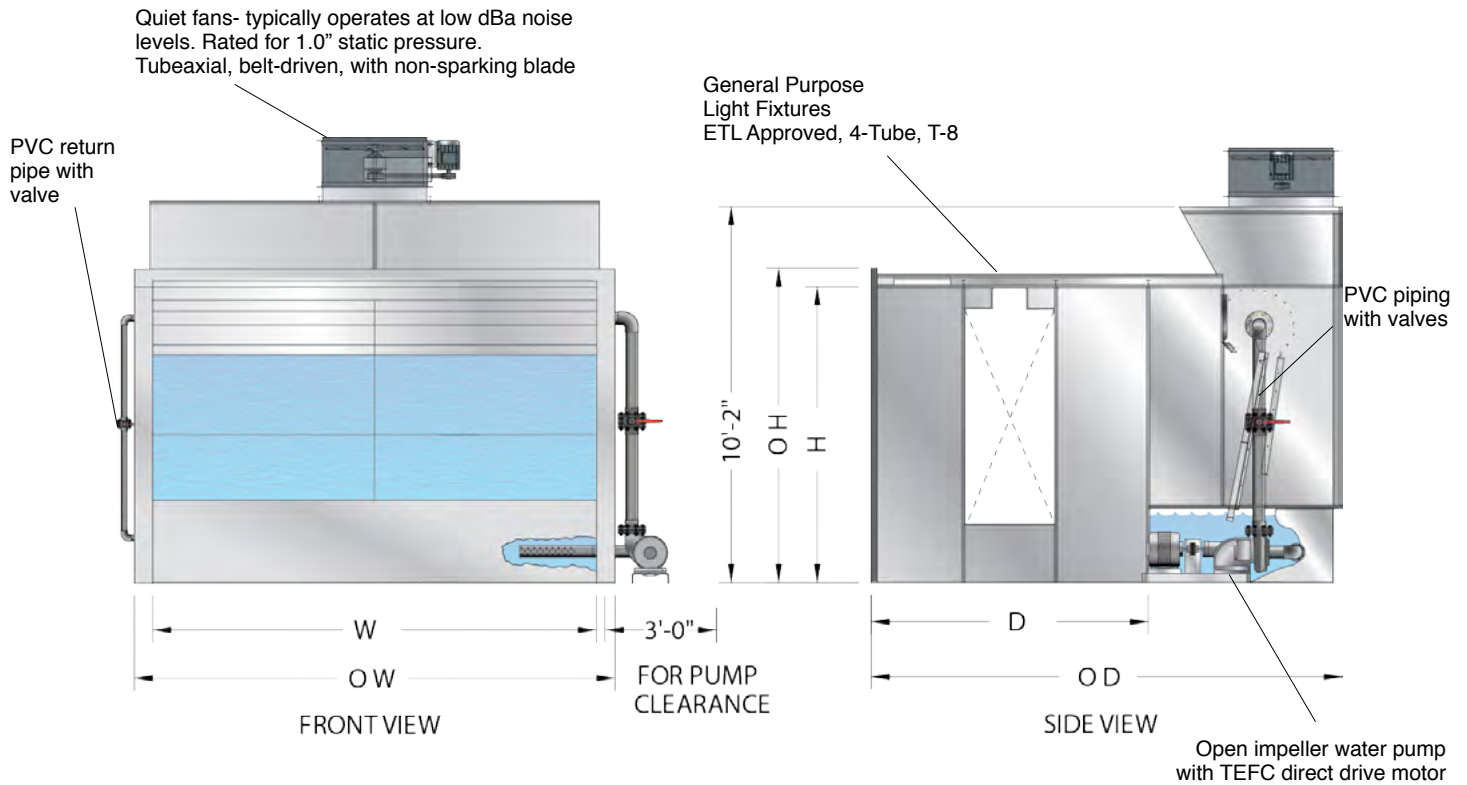


# Pump Type Water Wash Booths ConveyORIZED



**Highest Quality Finish and Environmentally Safe** The Spray Systems Water wash Spray Booth provides an extremely efficient means for removing paint particles from the exhausted air by using water as a filtration medium. Water wash booths are utilized for high volume paint usage. In addition, water wash booths handle a larger variety of paints as compared to dry filter booths, with a wider range of viscosities and drying speeds. Water wash booths are favored by all health, fire and building codes.

**Flexible and Adaptable** Spray Systems' water wash booths are designed for many finishing applications. We offer both pump and pumpless versions in open face, enclosed, and conveyORIZED models. Adapting front filter doors, air make-up systems, sludge de-watering, and special spray booth controls are just a few ways that we can engineer a custom booth for you.

**Appearance and Durability** Your water wash booth will have a quality appearance with our durable premium grade G-90 galvanized steel. The collection pan is fabricated using heavy 12 gauge galvanized steel with continuous welded construction.

## PACKAGE FEATURES & BENEFITS

- **CNC and CAD Technology**—panels are manufactured of premium 18 gauge G-90 galvanized steel, and are precision-punched on six inch centers, allowing for easy nut and bolt assembly, and exploded view assembly drawings supplied
- **Quiet Exhaust Fan**—typically operates at low dBa noise levels, below OSHA limits
- **High Efficiency Motor**—tri voltage, TEFC, motors that match the high efficiency performance of the exhaust fan
- **Lighting**—high efficiency lighting fixtures designed for mounting outside booth, industrial rated, four-tube (T-8) fluorescent fixtures with dust-tight seals and are UL/ETL listed
- **UL Listed**—all electrical components and latching devices are UL/ETL listed
- **Essential Accessories**—all necessary caulking, nuts, bolts, and hardware for proper booth installation

## 8' High Pump-Type Conveyorized Water Wash Booth Models

(120 FPM Average Face Velocity meeting minimum NFPA-33 Code Requirements)

Model Number	Work Dimensions			Overall Dimensions			Exhaust Fan Dia	Motor H.P.	Airflow SCFM @ 1.0" S.P.	Pump GPM	Pump Motor H.P.	Light Fixture (Qty)	Shipping Weight Lbs
	W	H	D	O W	O H	O D							
WP-585-C	5'-0"	7'-9"	5'-0"	5'-4"	10'-7"	10'-3"	24"	1.5	4800	150	3	1	2400
WP-887-C	7'-6"	7'-9"	7'-6"	7'-10"	10'-7"	12'-9"	34"	2	7700	240	5	1	3350
WP-1087-C	9'-6"	7'-9"	7'-6"	9'-10"	10'-7"	12'-9"	42"	3	9600	300	5	2	3975
WP-1287-C	12'-0"	7'-9"	7'-6"	13'-0"	10'-7"	12'-9"	42"	3	11500	360	7.5	2	4955
WP-1487-C	14'-0"	7'-9"	7'-6"	15'-0"	10'-7"	12'-9"	42"	5	13800	420	7.5	2	5600
WP-1687-C	16'-0"	7'-9"	7'-6"	17'-4"	10'-7"	12'-9"	42"	5	15300	480	7.5	4	5965
WP-1887-C	18'-0"	7'-9"	7'-6"	19'-4"	10'-7"	12'-9"	42"	5	17300	540	10	4	7325
WP-2087-C	20'-0"	7'-9"	7'-6"	22'-0"	10'-7"	12'-9"	42"	5	19200	600	10	6	8100

## 10' High Pump-Type Conveyorized Water Wash Booth Models

(120 FPM Average Face Velocity meeting minimum NFPA-33 Code Requirements)

Model Number	Work Dimensions			Overall Dimensions			Exhaust Fan Dia	Motor H.P.	Airflow SCFM @ 1.0" S.P.	Pump GPM	Pump Motor H.P.	Light Fixture (Qty)	Shipping Weight Lbs
	W	H	D	O W	O H	O D							
WP-8107-C	7'-6"	9'-9"	7'-6"	7'-11"	10'-7"	12'-9"	42"	3	9600	240	5	1	3775
WP-10107-C	9'-6"	9'-9"	7'-6"	9'-11"	10'-7"	12'-9"	42"	3	12000	300	5	2	4350
WP-12107-C	12'-0"	9'-9"	7'-6"	13'-0"	10'-7"	12'-9"	42"	5	14400	360	7.5	2	5180
WP-14107-C	14'-0"	9'-9"	7'-6"	15'-0"	10'-7"	12'-9"	42"	5	16800	420	7.5	2	5675
WP-16107-C	16'-0"	9'-9"	7'-6"	17'-4"	10'-7"	12'-9"	42"	5	19200	480	7.5	4	6175
WP-18107-C	18'-0"	9'-9"	7'-6"	19'-4"	10'-7"	12'-9"	42"	7.5	21600	540	10	4	7600
WP-20107-C	20'-0"	9'-9"	7'-6"	22'-0"	10'-7"	12'-9"	42"	7.5	24000	600	10	6	8100

## 12' High Pump-Type Conveyorized Water Wash Booth Models

(120 FPM Average Face Velocity meeting minimum NFPA-33 Code Requirements)

Model Number	Work Dimensions			Overall Dimensions			Exhaust Fan Dia	Motor H.P.	Airflow SCFM @ 1.0" S.P.	Pump GPM	Pump Motor H.P.	Light Fixture (Qty)	Shipping Weight Lbs
	W	H	D	O W	O H	O D							
WP-8127-C	7'-6"	11'-9"	7'-6"	8'-2"	12'-2"	12'-9"	42"	3	11500	240	5	1	4175
WP-10127-C	9'-6"	11'-9"	7'-6"	10'-2"	12'-2"	12'-9"	42"	5	14400	300	5	2	4850
WP-12127-C	12'-0"	11'-9"	7'-6"	13'-0"	12'-2"	12'-9"	42"	5	17200	360	7.5	2	5780
WP-14127-C	14'-0"	11'-9"	7'-6"	15'-0"	12'-2"	12'-9"	42"	5	20000	420	7.5	2	6375
WP-16127-C	16'-0"	11'-9"	7'-6"	17'-4"	12'-2"	12'-9"	42"	7.5	24000	480	7.5	4	6975
WP-18127-C	18'-0"	11'-9"	7'-6"	19'-4"	12'-2"	12'-9"	42"	7.5	26000	540	10	4	8500
WP-20127-C	20'-0"	11'-9"	7'-6"	22'-0"	12'-2"	12'-9"	42"	10	28800	600	10	6	9100

## OPTIONS / ACCESSORIES

- Access Doors
- Air Make-up Units
- Air Solenoid Valves
- Control Panels
- Constant Velocity Controls
- Energy savings stand-by/idle mode
- Exhaust Stack Components
- Front Filter Doors
- Heaters / Infrared
- Lighting
- Magnahelic Gauges
- Observation Windows
- Pressurized Air Supply Plenums
- Centrifuge
- Stainless Steel Wash Chamber